

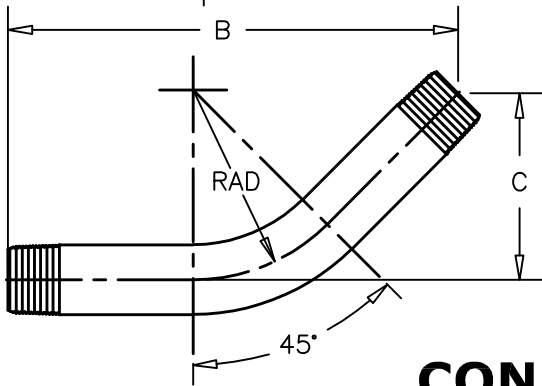
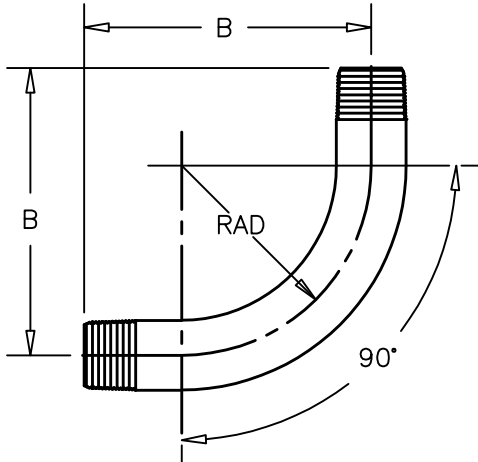


CONDUIT PIPE PRODUCTS

Member of The Phoenix Forge Group

CONDUIT 90° & 45° ELBOWS

RIGID METAL—Polished Stainless Steel 304 and 316

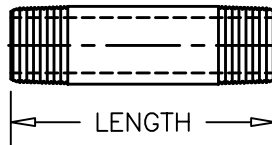


Standard Radius				
Size	Radius	90°	45°	
		B dim.	B dim.	C dim.
1/2	4	6-3/16	7-13/16	3-1/4
3/4	4-1/2	6-3/4	8-11/16	3-5/8
1	5-3/4	8-5/8	9-3/16	3-13/16
1-1/4	7-1/4	10-1/16	10-11/16	4-7/16
1-1/2	8-1/4	11-9/16	11-13/16	4-7/8
2	9-1/2	14-1/16	14-7/8	6-1/8
2-1/2	10-1/2	16	18-5/16	7-9/16
3	13	18-13/16	20-9/16	8-1/2
3-1/2	15	22-3/16	23-3/16	9-5/8
4	16	23-15/16	24-1/2	10-1/8

Radius R is minimum
 Dimensions B and C are Reference Dimensions
 Both ends NPT Threads conform to ANSI B1.20.1
 Polished Stainless Steel Rigid Metal Elbows meet UL6A
 11-1/4°, 15°, 22-1/2°, 30°, and 60° Elbows are also available

CONDUIT NIPPLES

Polished Stainless Steel 304 and 316



Size	Close Length	Length													
		1-1/2	2	2-1/2	3	3-1/2	4	4-1/2	5	5-1/2	6	8	10	12	
1/2	1-1/8														
3/4	1-3/8														
1	1-1/2	X													
1-1/4	1-5/8	X													
1-1/2	1-3/4	X													
2	2	X	X												
2-1/2	2-1/2	X	X	X											
3	2-5/8	X	X	X	X										
3-1/2	2-3/4	X	X	X	X	X									
4	2-7/8	X	X	X	X	X	X								

Polished Stainless Steel 304 and 316 Conduit Nipples meet UL6A
 Lengths longer than 12" and Special Threading available upon request
 Both ends NPT threads conform to ANSI B1.20.1

CONDUIT PIPE PRODUCTS COMPANY

1501 WEST MAIN STREET

WEST JEFFERSON, OH 43162

Phone: 614-879-9114 * Toll Free: 1-800-848-6125

FAX: (614) 879-5185

www.conduitpipe.com

